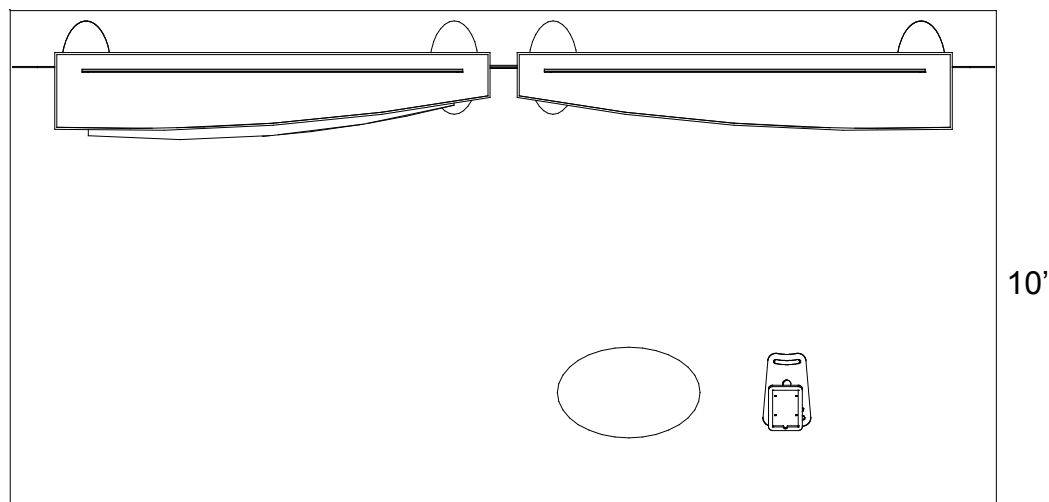


Perspective View



Plan View 20'

**visionary**<sup>TM</sup>  
DESIGNS

WHEN DISASSEMBLING ALUMINUM EXTRUSION, TIGHTEN ALL SETSCREWS AND LOCKS TO PREVENT LOSS DURING SHIPPING

# visionary™ IDESIGNS

## Using Your Setup Instructions

The Visionary Designs Setup Instructions are created specifically for your configuration. They are laid out sequentially, including an exploded view of the entire display, and then a logical series of detailed steps to assemble the main structure and components. We encourage you to study the instructions **before** attempting to assemble your exhibit.

Each page reminds you to tighten the setscrews after disassembling your exhibit to prevent loss of the locks and setscrews (see below in RED). This is **VERY IMPORTANT**.

## Cleaning and Packing Your Display

- 1) Use care when cleaning aluminum extrusion or acrylic inserts. Use only non-abrasive cleaners.
- 2) When cleaning laminate inserts or countertops, use mild cleansers and a soft material such as cotton.
- 3) Keep all display components away from extreme heat and long exposure to sunlight to avoid warping and fading.
- 4) Retain all packing material. It will make re-packing much easier and will reduce the likelihood of shipping damage.



**The Tool**

Most Visionary Designs exhibits can be assembled with the supplied Hex Key Tool. Occasionally, a flat head screwdriver may be required.

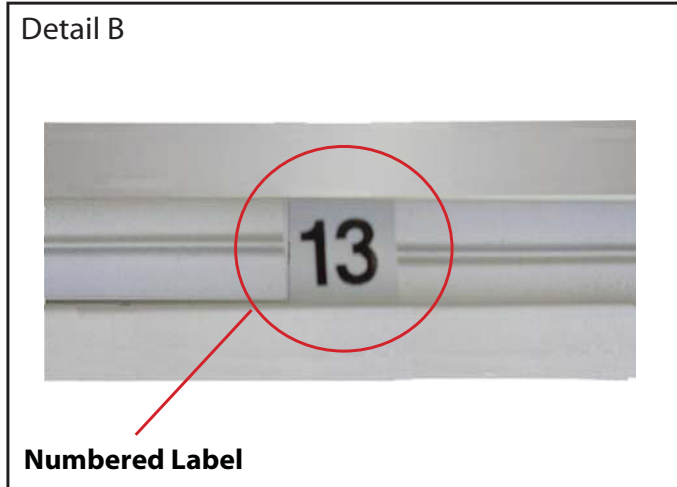


**Typical Connection**



**Typical Connection (cont'd)**

Most horizontal extrusion connections have a patented expandable lock. This lock inserts into the groove of an opposing extrusion. Tightening the lock with the Hex Key Tool expands the lock and creates a strong positive connection.



**Detail B**

**Numbered Label**

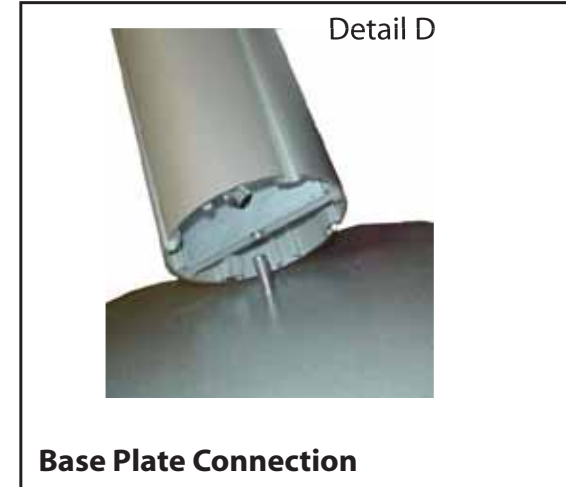
Each extrusion contains a numbered label which corresponds with setup instructions. The label is located within a groove of the extrusion (when possible). With Visionary Designs the labels contain Black numbers unless otherwise specified.



**Detail C**

**Horizontal Inline Connection** (remove only one setscrew)

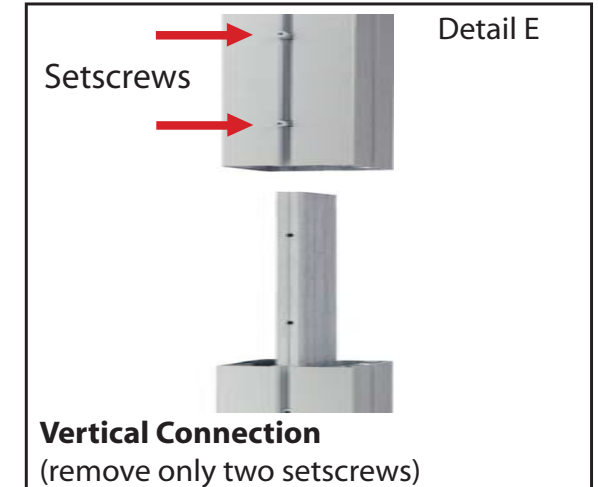
Remove only (1) setscrew when disassembling. Replace setscrew in extrusion after assembling it. Before packing, replace setscrew in extrusion to avoid losing it.



**Detail D**

**Base Plate Connection**

Attach base plate to round or square vertical extrusion using the bolt provided. Be careful not to strip the threads.



**Detail E**

**Vertical Connection**  
(remove only two setscrews)

When vertical extrusions are packed in portable cases rather than crates or tubs, they must be broken down into smaller sections which then require assembly.

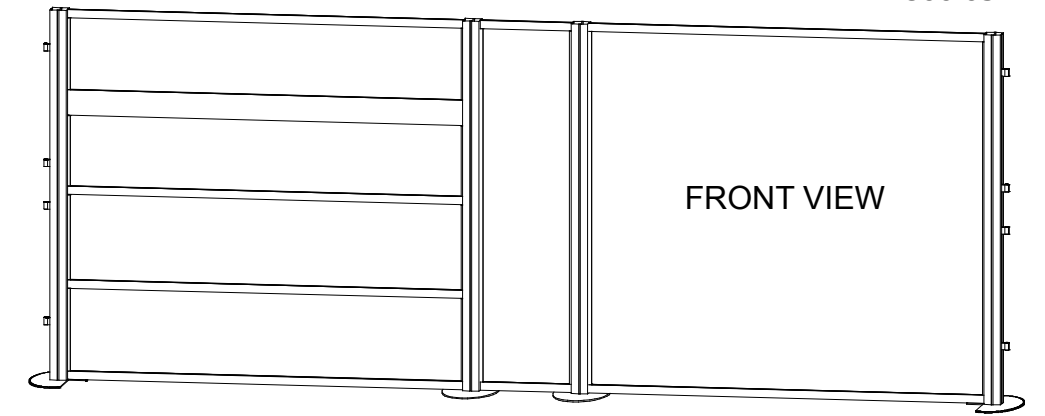
Remove only (2) setscrews when disassembling. Replace setscrews in extrusion after assembling it. Before packing, replace setscrews in extrusion to avoid losing them.

**WHEN DISASSEMBLING ALUMINUM EXTRUSION, TIGHTEN ALL SETSCREWS AND LOCKS TO PREVENT LOSS DURING SHIPPING**

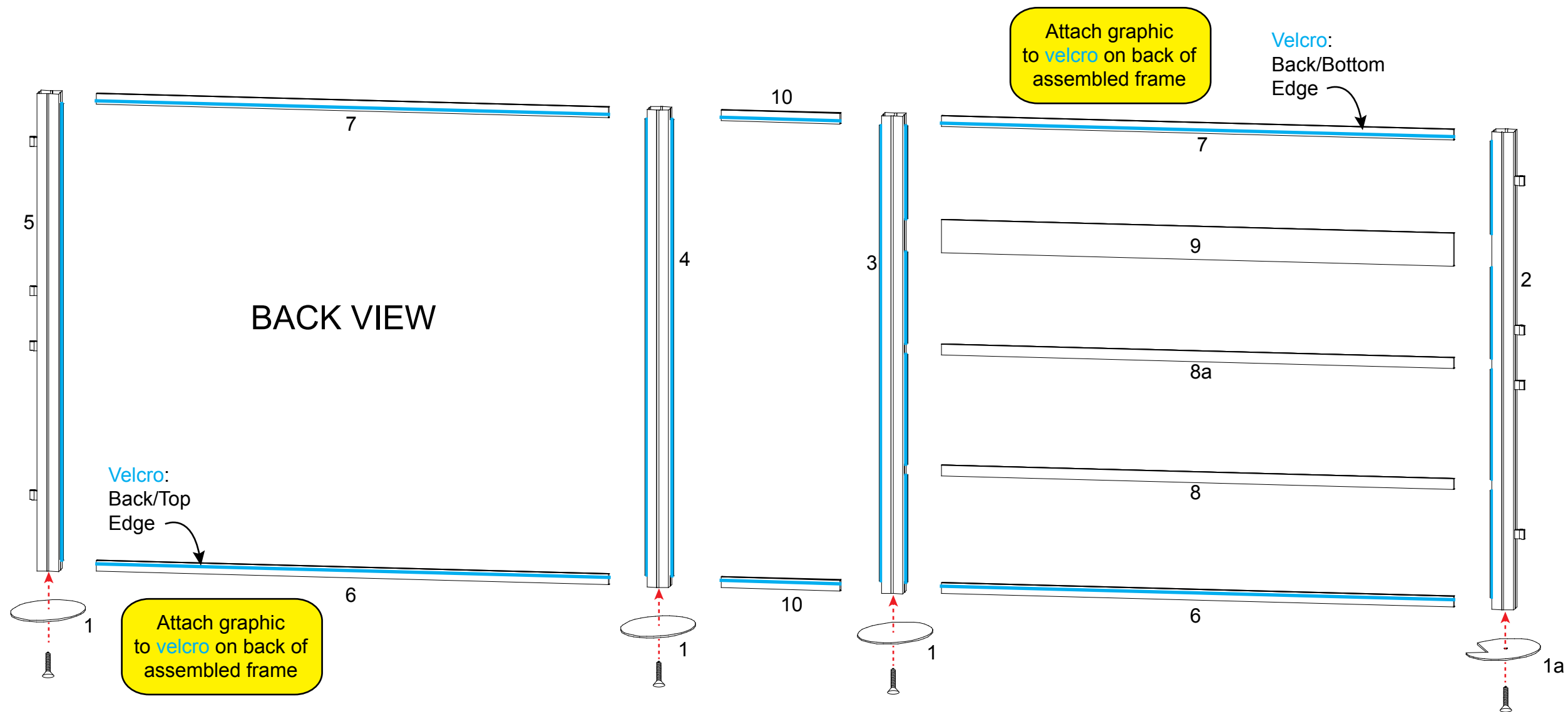
866.652.2100

Item	Qty.	Description
1/1a	3/1	Oval Baseplate with Notch
2	1	80" Q914 Square Vertical Extrusion
3	1	80" Q914 Square Vertical Extrusion
4	1	80" Q914 Square Vertical Extrusion
5	1	80" Q914 Square Vertical Extrusion
6	2	86" Z45 Horizontal Extrusion w/ velcro
7	2	86" Z45 Horizontal Extrusion w/ velcro
8/8a	1/1	86" Z45 Horizontal Extrusion
9	1	86" Monitor Mounting Plate
10	2	20" Z45 Horizontal Extrusion

- Steps:
- 1) Connect base plate [1a] to vertical extrusion [2].
  - 2) Connect remaining base plates [1] to vertical extrusions [3, 4, & 5].
  - 3) Attach horizontal extrusions [6, 7, 8, & 9] between vertical extrusions [2] & [3].
  - 4) Attach horizontal extrusions [6 & 7] between vertical extrusions [4] & [5].
  - 5) Connect horizontal extrusions [10] between vertical extrusions [3] & [4].
  - 6) Attach graphics to backside of frame.



When assembled

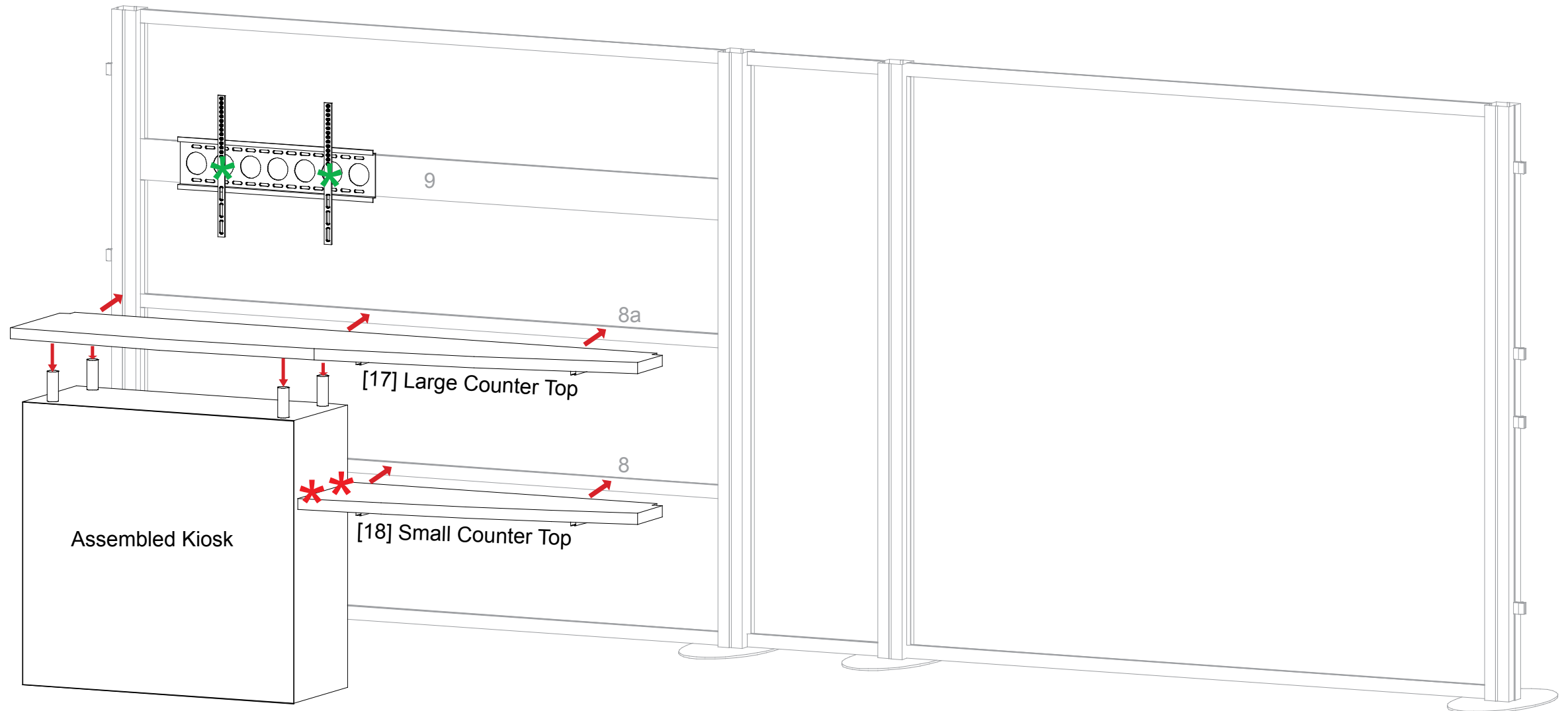
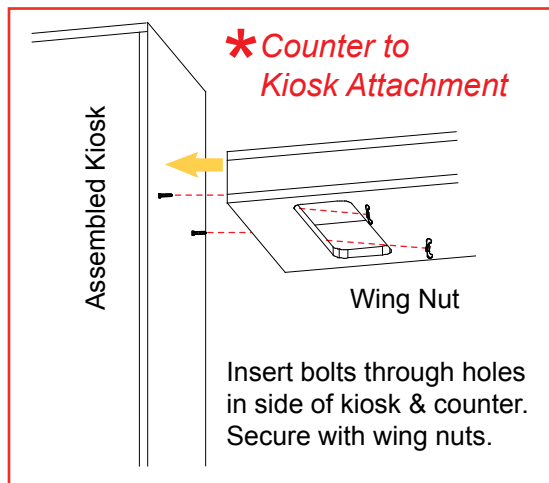
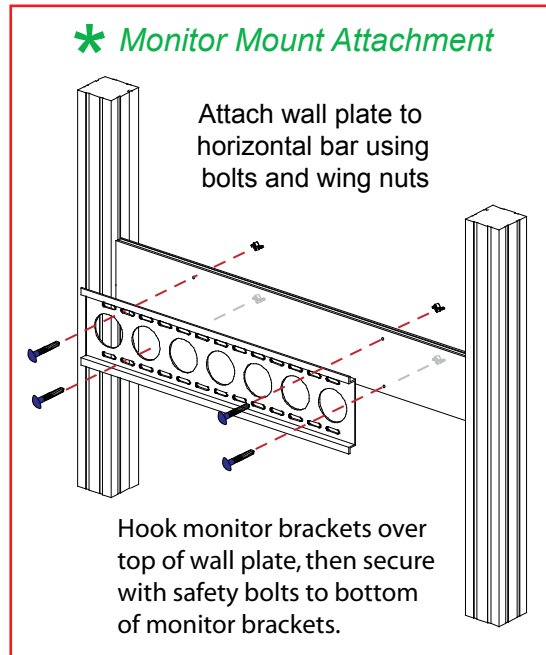


WHEN DISASSEMBLING ALUMINUM EXTRUSION, TIGHTEN ALL SETSCREWS AND LOCKS TO PREVENT LOSS DURING SHIPPING

Item	Qty.	Description
17	1	Large Counter Top
18	1	Small Counter

Steps:

- 1) Connect stand-off barrels to top of assembled kiosk and set kiosk against assembled backwall.  
NOTE: Back outer corner of assembled kiosk will fit within the notched base plate [1a].
- 2) Attach large counter top to top of assembled kiosk and stand-off barrels as well as backwall horizontal extrusion [8a].
- 3) Attach small counter to side of assembled kiosk and backwall horizontal extrusion [8].  
See **Counter to Kiosk Attachment** detail.
- 4) Connect monitor mount to mounting plate [9].  
See **Monitor Mount Attachment** detail.



**WHEN DISASSEMBLING ALUMINUM EXTRUSION, TIGHTEN ALL SETSCREWS AND LOCKS TO PREVENT LOSS DURING SHIPPING**

866.652.2100

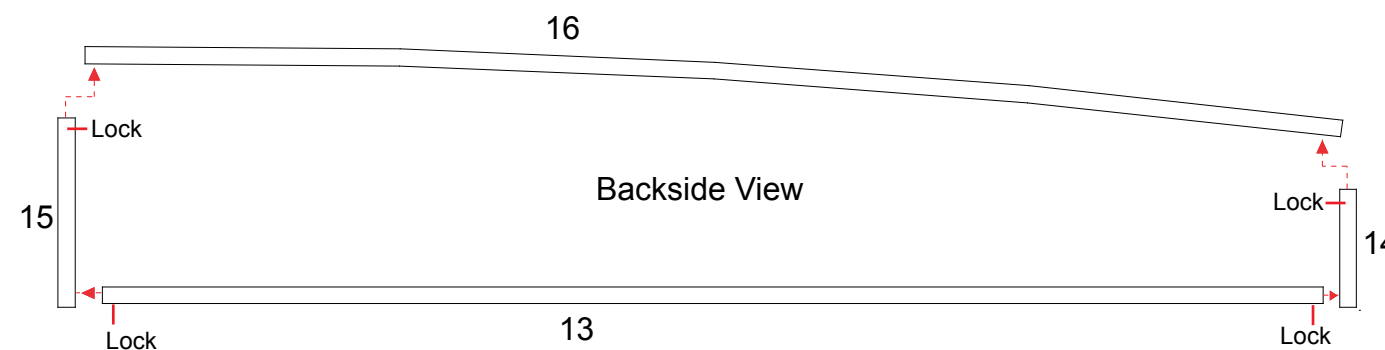
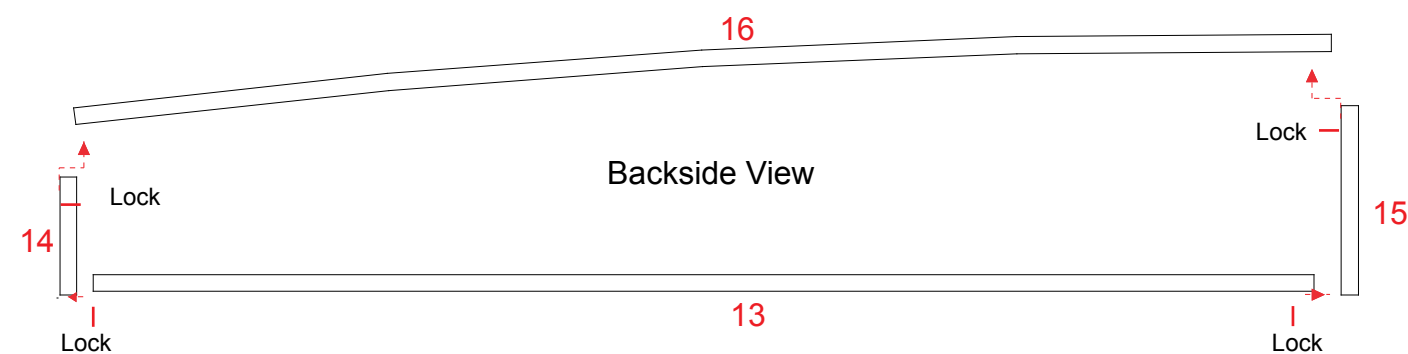
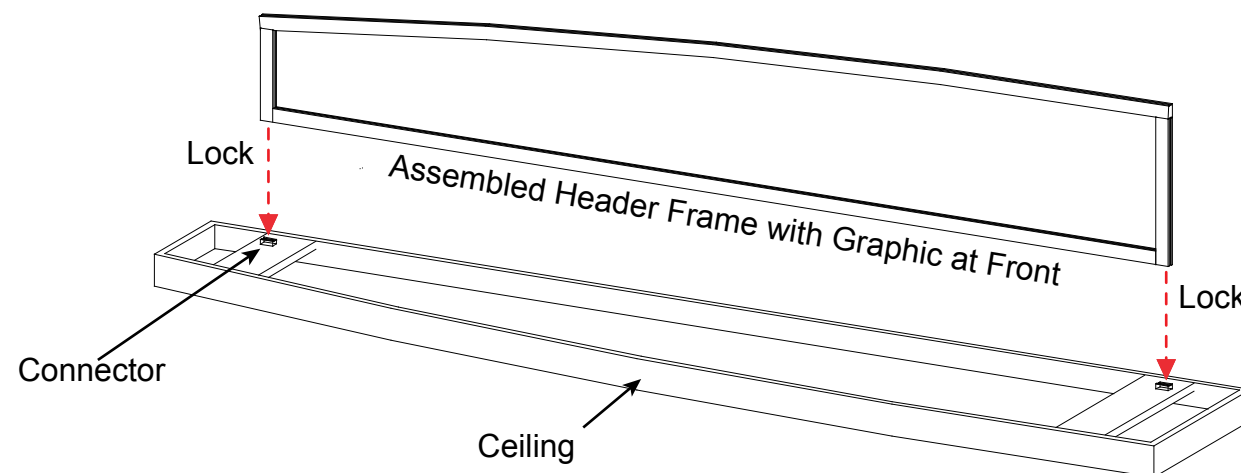
Item	Qty	Description
13/13	1/1	90" Lower Horizontal Extrusion
14/14	1/1	8.75" Tapered cut Vertical Extrusion
15/15	1/1	14" Tapered cut Vertical Extrusion
16/16	1/1	93" Curved Horizontal Extrusion

Steps:

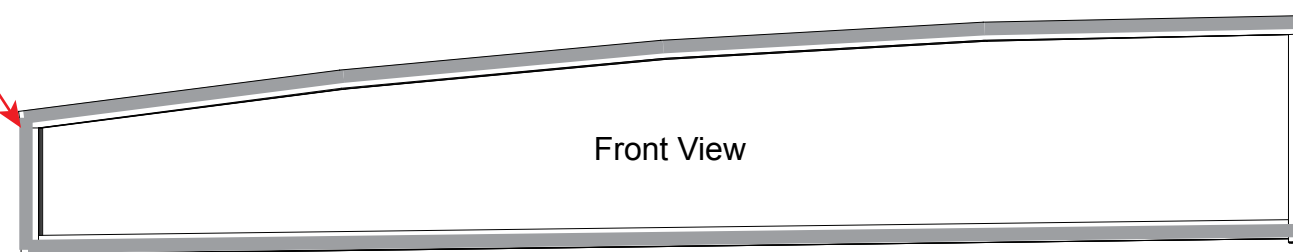
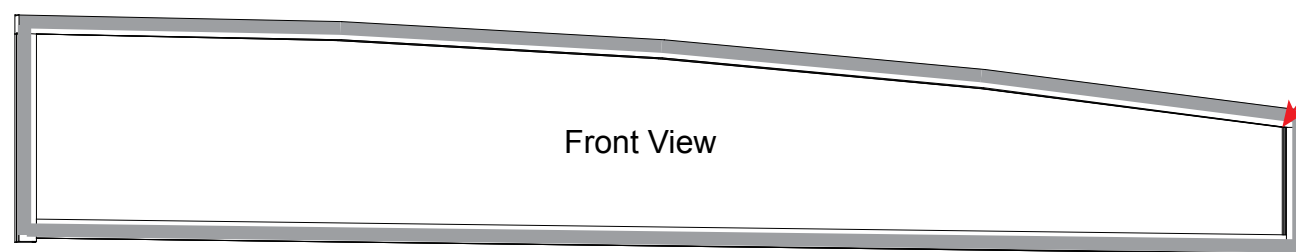
- 1) Attach header pieces together as shown.
- 2) Apply graphic to front of assembled header.
- 3) Attach assembled header frame to ceiling by locking to connectors where indicated.

**NOTE: Header frame must stay assembled when shipping in crate**

Note: Frame should be assembled from Backside.



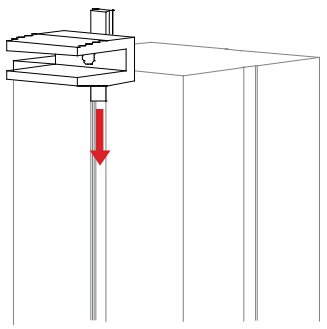
Velcro Applied to Front Perimeter of Frame



**WHEN DISASSEMBLING ALUMINUM EXTRUSION, TIGHTEN ALL SETSCREWS AND LOCKS TO PREVENT LOSS DURING SHIPPING**

- Steps:
- 1) Connect Ceiling and Header to top of assembled backwall.
  - 2) Attach graphic wings to outer most vertical extrusions.  
See [A10 Clip Attachment](#) detail.

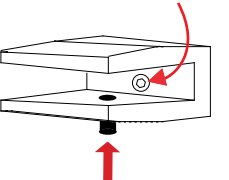
**\* A10 Clamp Attachment**



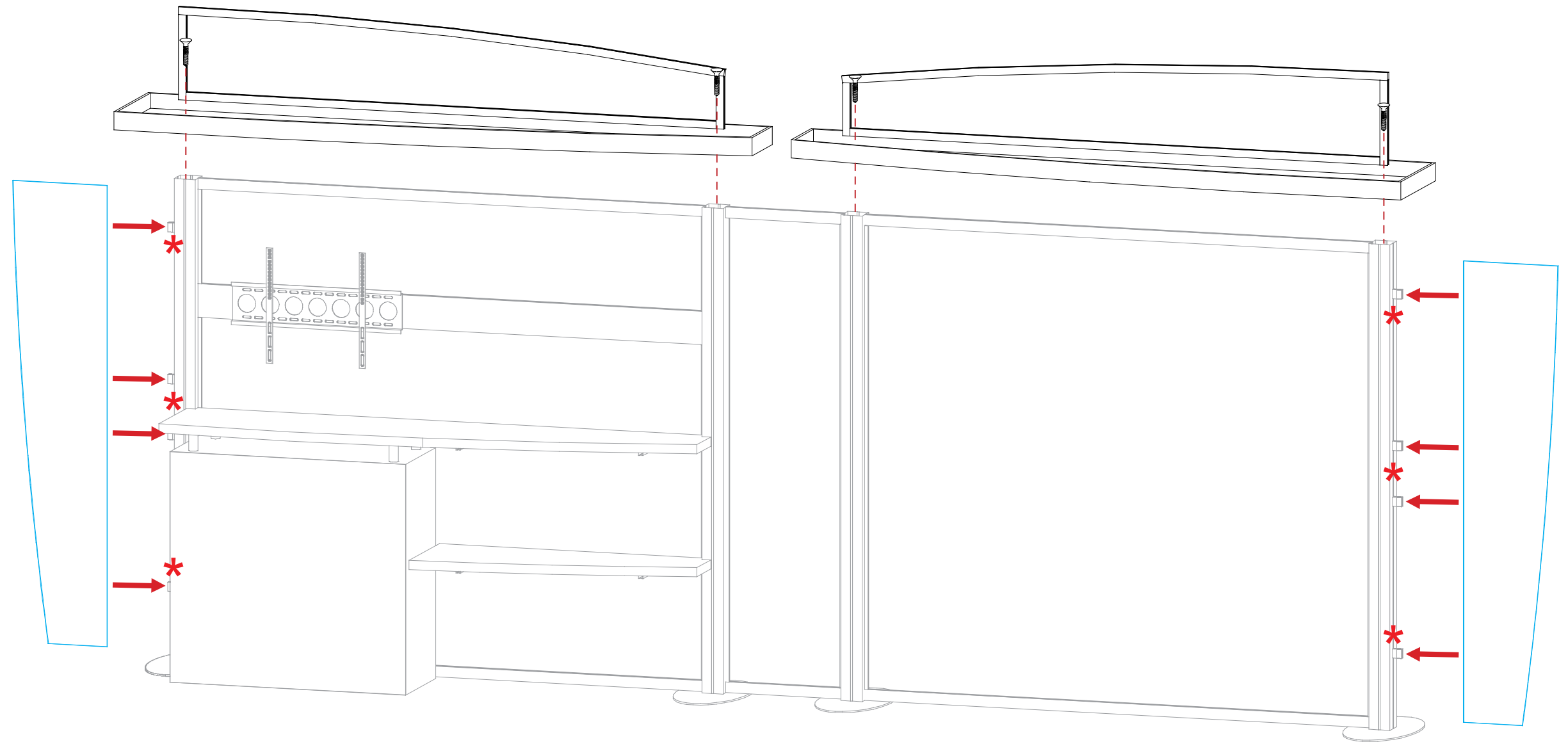
Slide connector on back of A10 clamp into groove of extrusion.

---

When desired location is found, tighten set screw to secure.



Tighten knob to secure shelf in place.

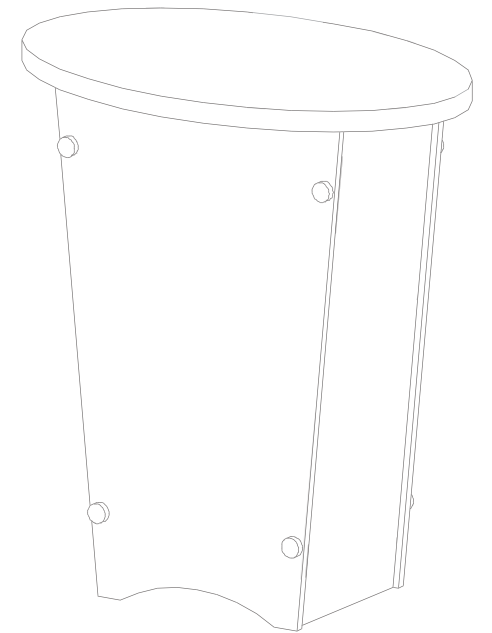
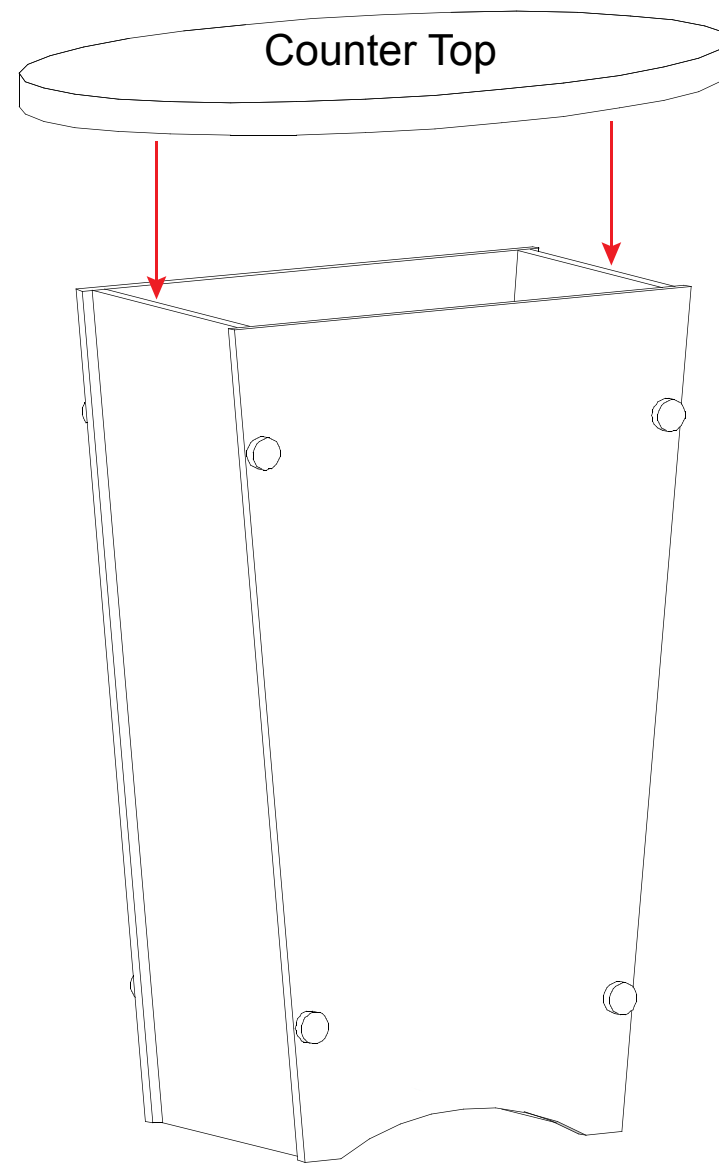
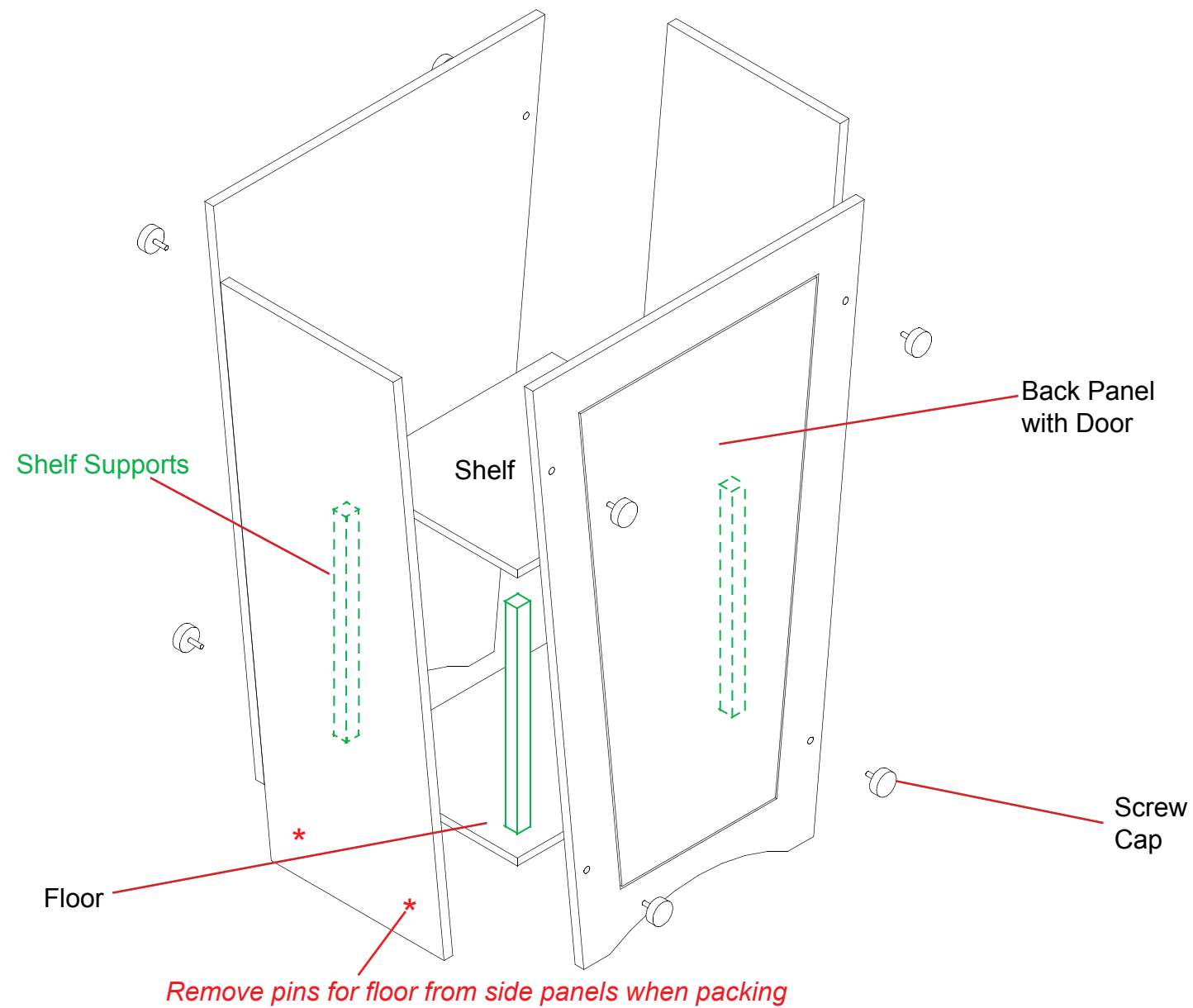


**WHEN DISASSEMBLING ALUMINUM EXTRUSION, TIGHTEN ALL SETSCREWS AND LOCKS TO PREVENT LOSS DURING SHIPPING**

866.652.2100

Steps:

- 1) Use screw caps to secure the front panel and back panel to the side panels.
- 2) Slide floor into the bottom of the pedestal. The floor will sit on pins set into the side panels.
- 3) Attach shelf supports with velcro to inside of panel.
- 4) Place counter top on assembled pedestal.



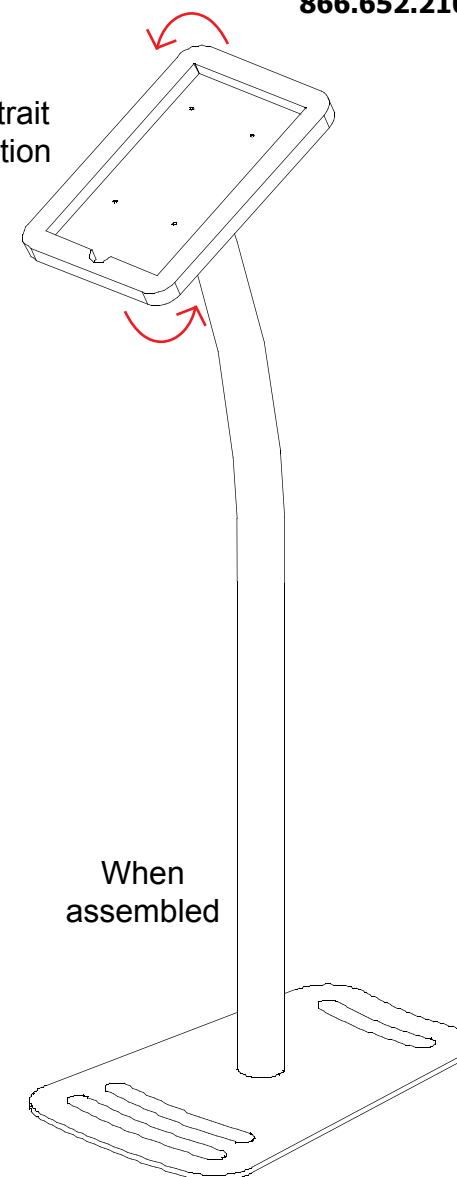
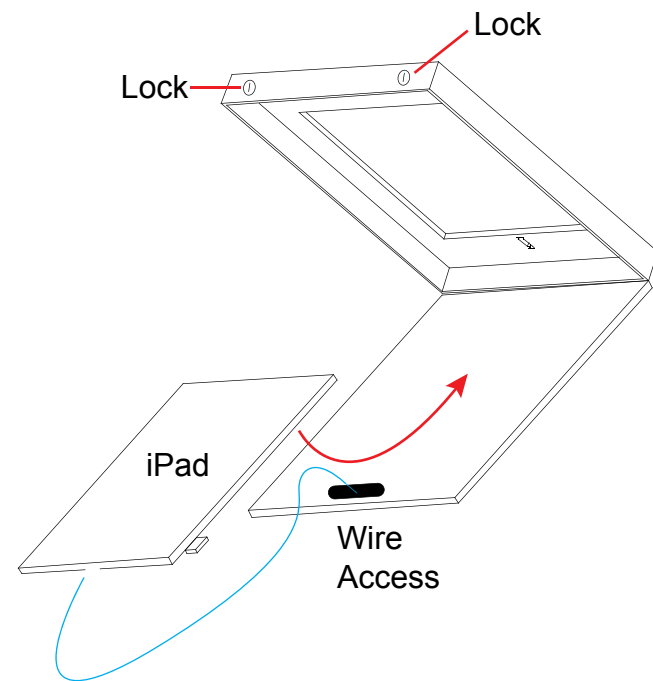
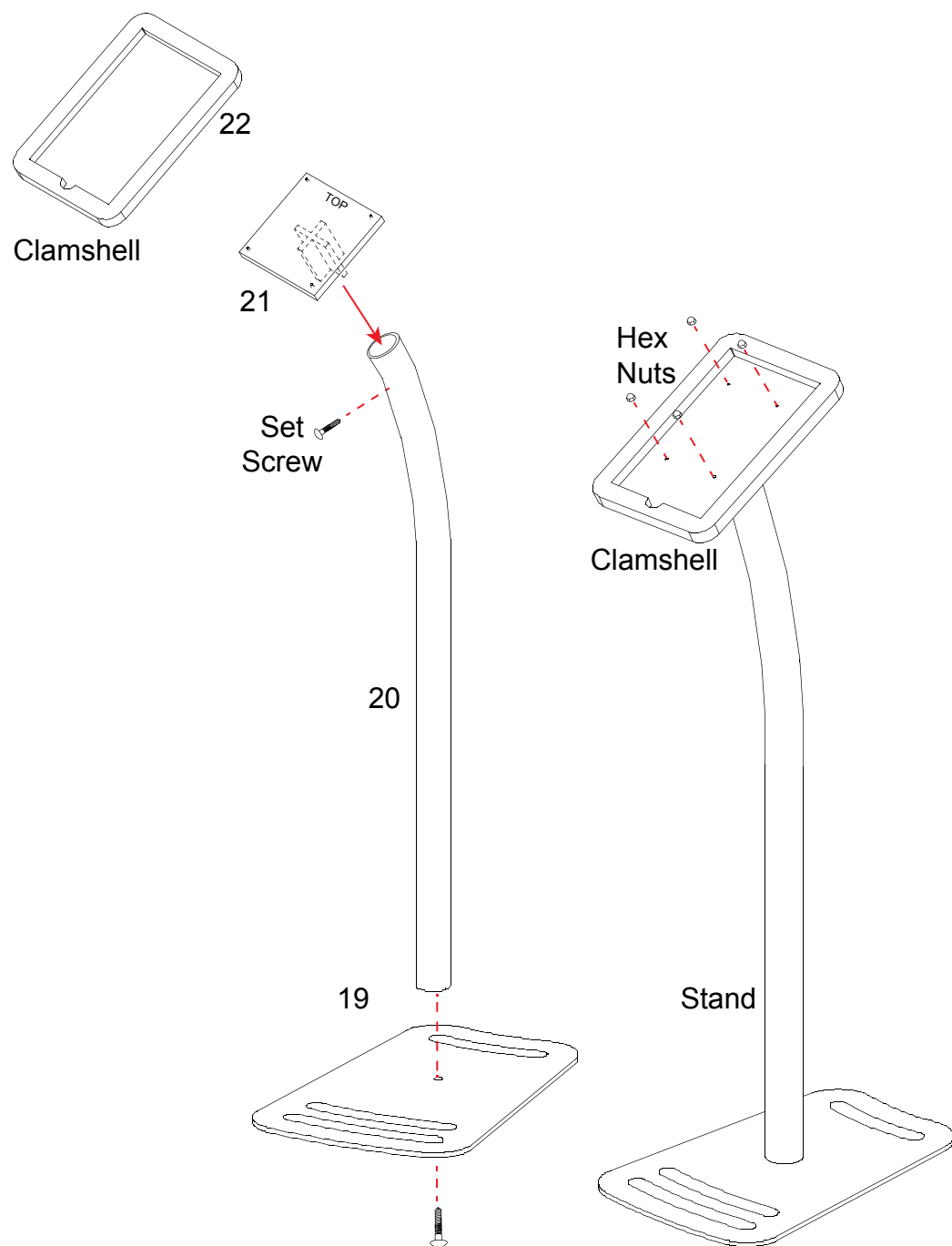
**WHEN DISASSEMBLING ALUMINUM EXTRUSION, TIGHTEN ALL SETSCREWS AND LOCKS TO PREVENT LOSS DURING SHIPPING**

866.652.2100

Item	Qty.	Description
19	1	Base Plate
20	1	Formed Vertical Extrusion
21	1	Square Mounting Plate
22	1	iPad Clamshell

- Steps:
- 1) Attach base [19] to curved vertical [20] using bolts.
  - 2) Slide square plate [21] into vertical [20] and secure with set screw.  
*NOTE: Square plate [21] must rotate to left and right before installing clamshell*
  - 3) Attach clamshell [22] to square plate [21] using hex nuts.
  - 4) Insert iPad and feed wire through holes as shown in detail.

Rotate clamshell to turn iPad from portrait to landscape orientation



**Wire Management for iPad**

Feed iPad charging cord through holes from top to bottom of post as shown.

**Optional Cover for Home Button**

- 1) Remove foam lining from inside bottom of clamshell as shown.
- 2) Attach Home Button Shield with double-sided tape to inside of clamshell, keeping top of shield flush with clamshell opening as shown.

**NOTE:** This is a permanent fix and can't be easily removed.

**Tools Required:**

- 1) Hex Tool
- 2) Pliers

**WHEN DISASSEMBLING ALUMINUM EXTRUSION, TIGHTEN ALL SETSCREWS AND LOCKS TO PREVENT LOSS DURING SHIPPING**