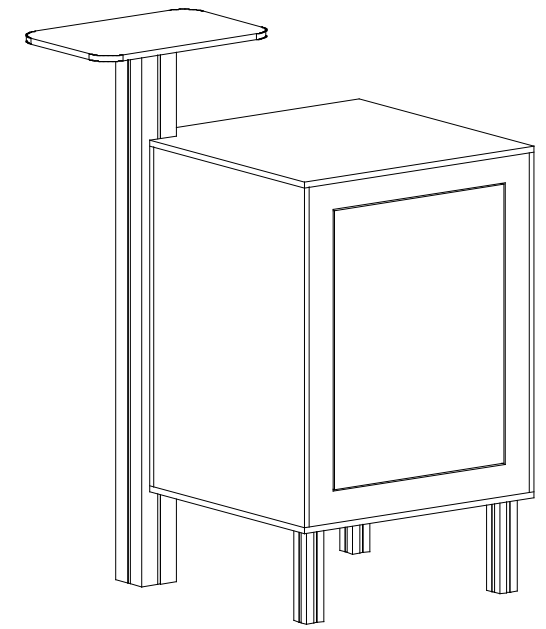
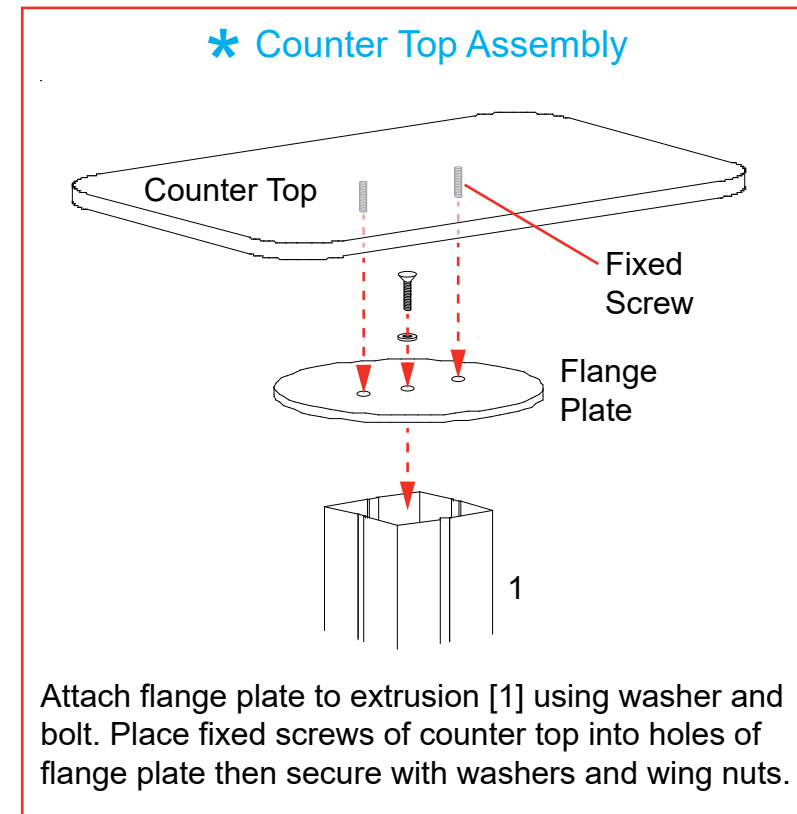
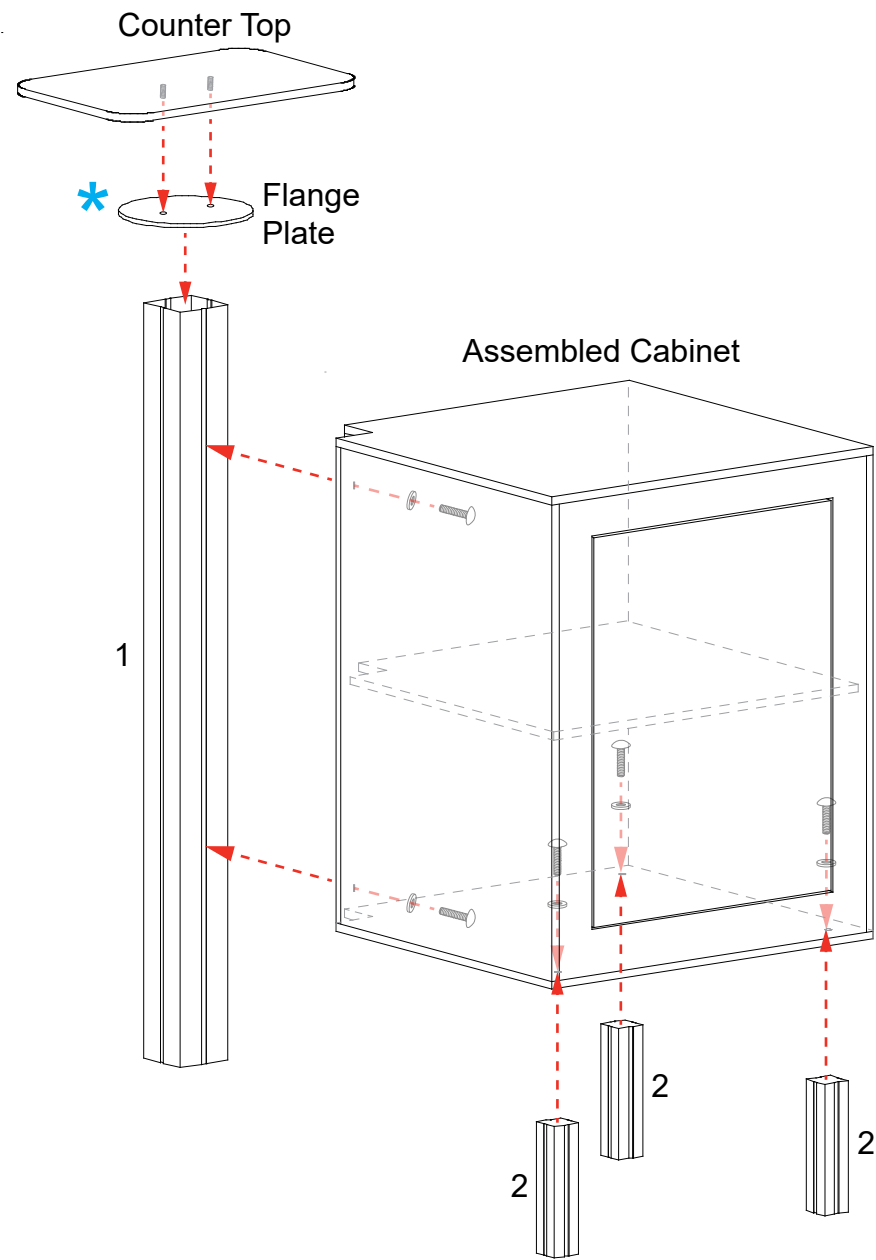


| Item | Qty. | Description |
|------|------|-----------------------------|
| 1 | 1 | 46" Q914 Vertical Extrusion |
| 2 | 3 | 8" S44 Vertical Extrusion |

- Steps:
- 1) Assemble counter top. See [Counter Top Assembly](#) detail.
 - 2) Attach extrusion [1] to assembled cabinet, using washers and bolts.
 - 3) Attach extrusions [2] to assembled cabinet, using washers and bolts from inside cabinet.



Completed Assembly

SETUP INSTRUCTIONS

General Setup Instructions

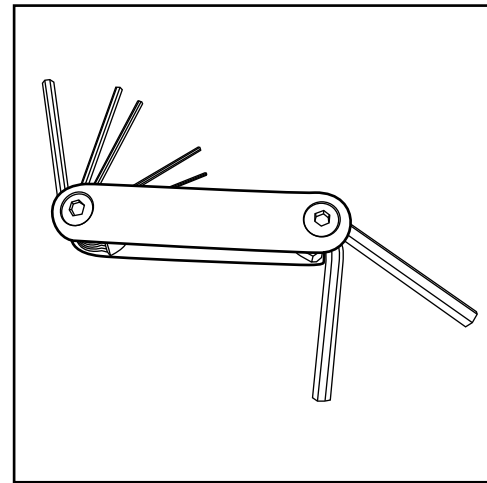
- Read entire setup instruction manual prior to unpacking parts and pieces.
- The setup instructions are created specifically for this configuration.
- Setup instructions are laid out sequentially in steps, including exploded views with detailed explanation for assembly.

Cleaning & Packing

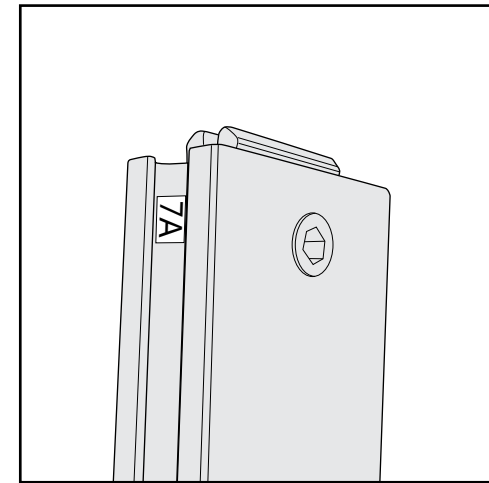
- For Cleaning Metal, Plex, & Laminate Parts: Use a **MILD NON-ABRASIVE** cleanser and soft cloth/paper towel to clean all surfaces.
- Keep exhibit components away from heat and prolonged sun exposure. **Heat and UV exposure will warp and fade components.**
- Retain all provided Packing Materials. All provided packing materials are for ease of repacking & component protection.

Disassembly

- For loss prevention, tighten all set screws and locks during disassembly.



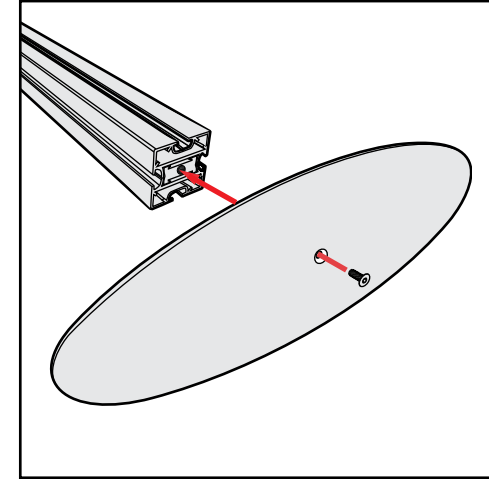
Hex Tool - Essential for Assembly



Part Identification - Numbering



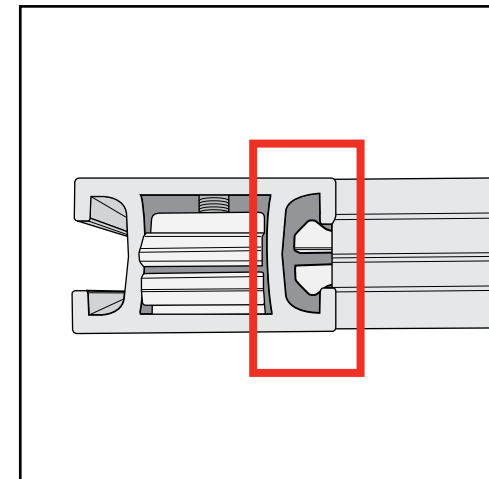
Spline Connection



Base Plate & Extrusion Connection



Extrusion & Lock Connection



Engaged Lock



WARNING



DO NOT USE POWER TOOLS



LADDERS OR LIFTS
MAY BE REQUIRED



ALL CONNECTIONS MUST
BE TIGHTLY SECURED