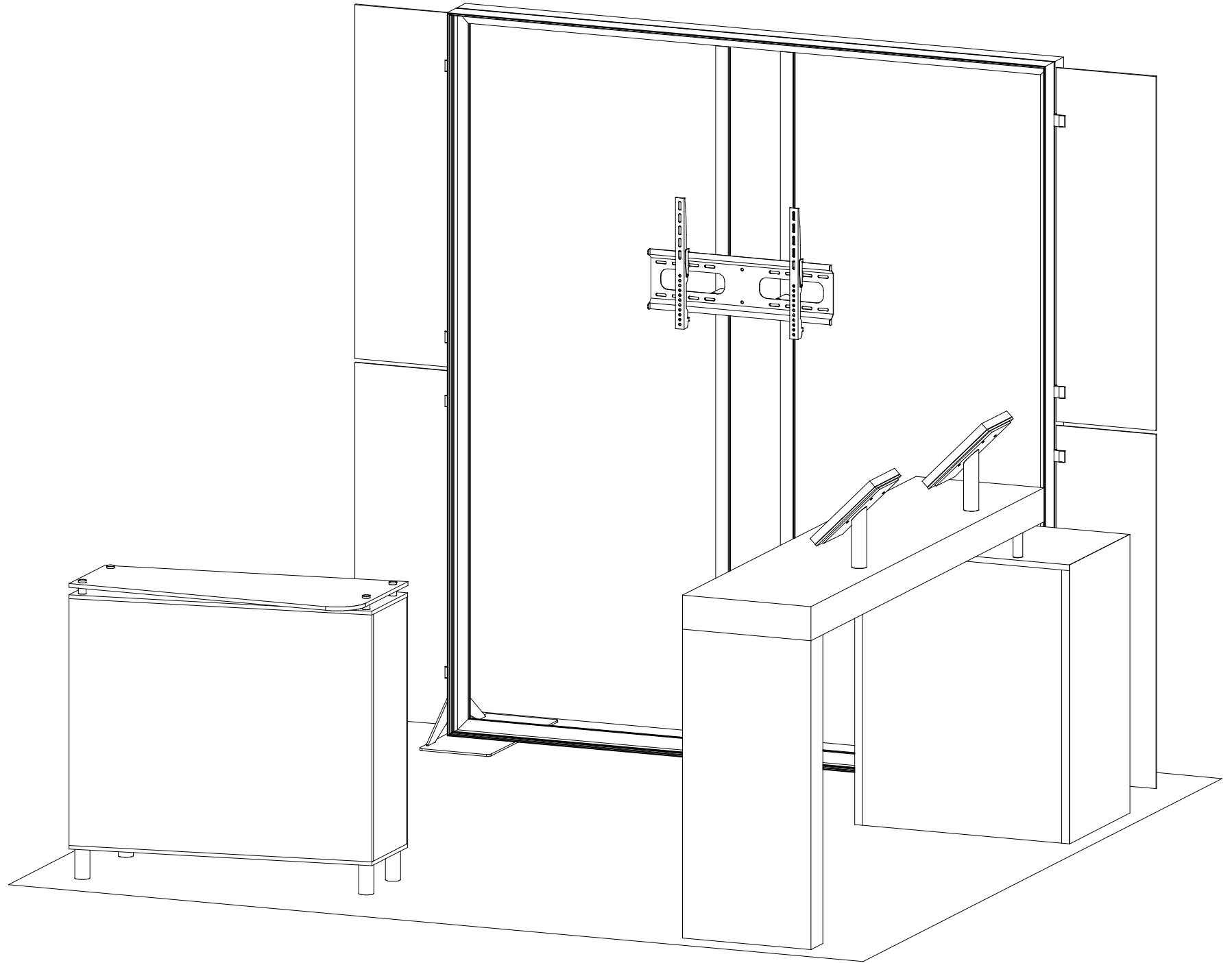


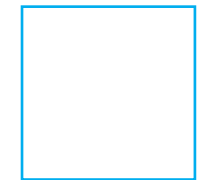
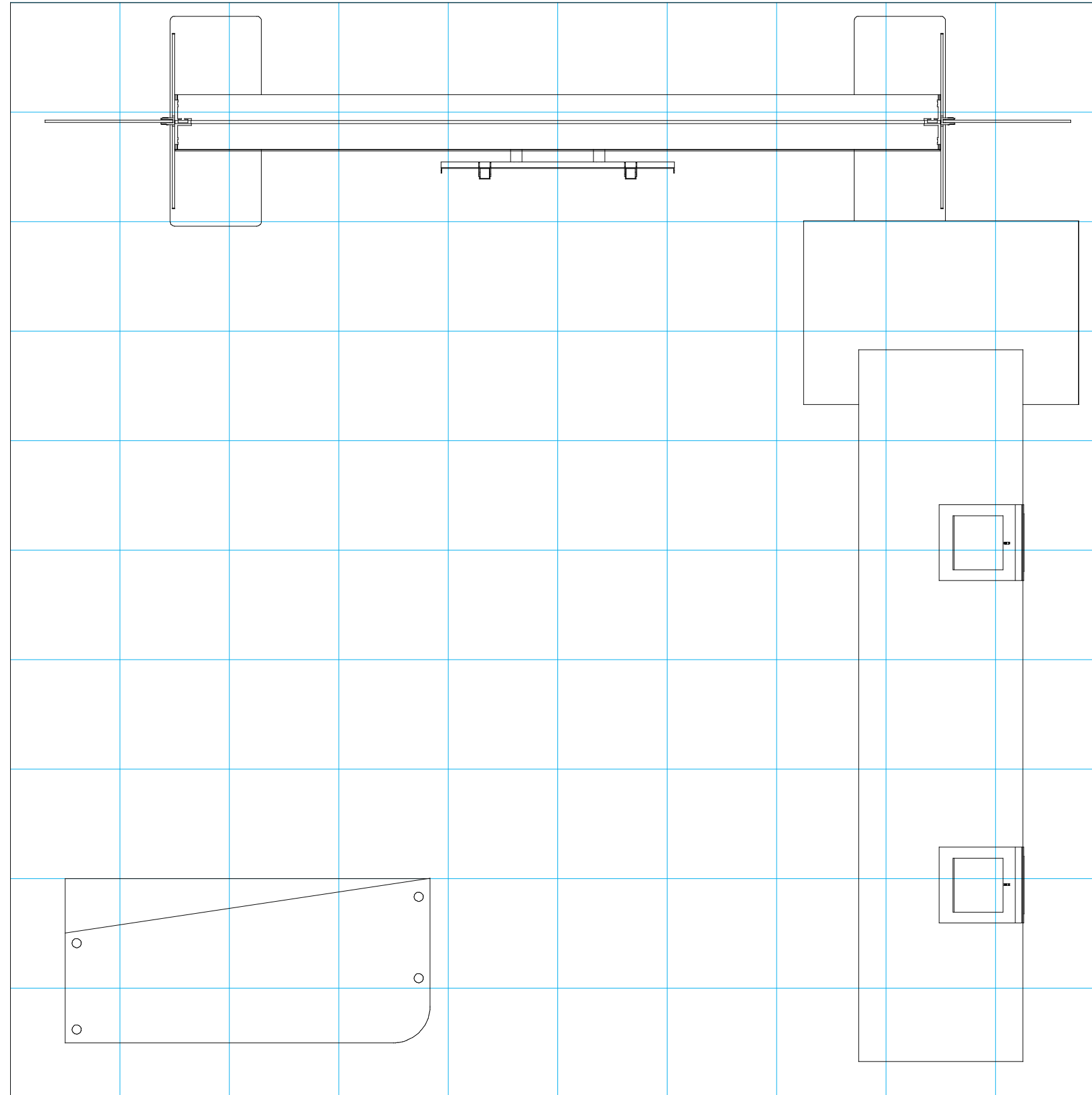
Plan View

10'

10'



# ***SETUP INSTRUCTIONS***



= 1 sq foot

## General Setup Instructions

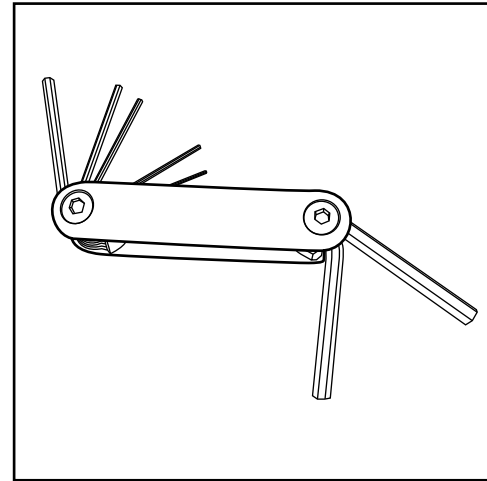
- Read entire setup instruction manual prior to unpacking parts and pieces.
- The setup instructions are created specifically for this configuration.
- Setup instructions are laid out sequentially in steps, including exploded views with detailed explanation for assembly.

## Cleaning & Packing

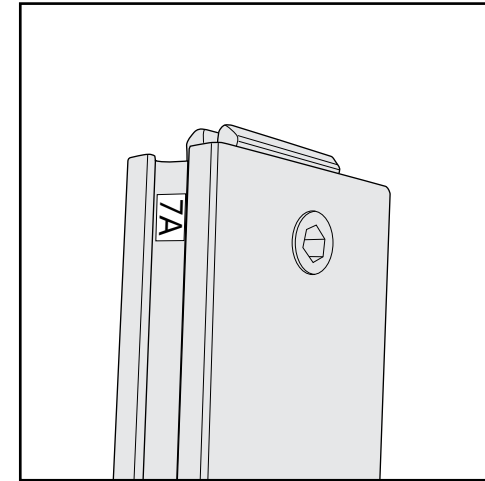
- For Cleaning Metal, Plex, & Laminate Parts: Use a **MILD NON-ABRASIVE** cleanser and soft cloth/paper towel to clean all surfaces.
- Keep exhibit components away from heat and prolonged sun exposure. **Heat and UV exposure will warp and fade components.**
- Retain all provided Packing Materials. All provided packing materials are for ease of repacking & component protection.

## Disassembly

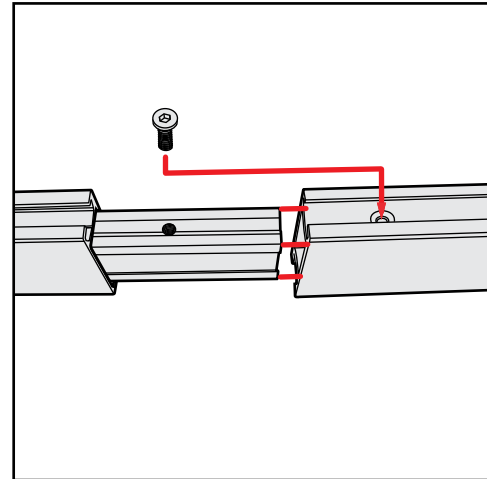
- For loss prevention, tighten all set screws and locks during disassembly.



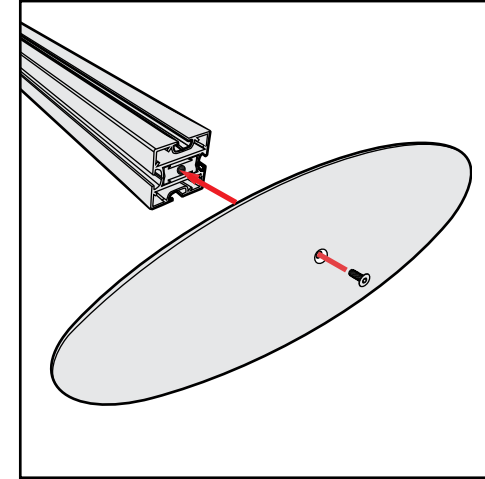
Hex Tool - Essential for Assembly



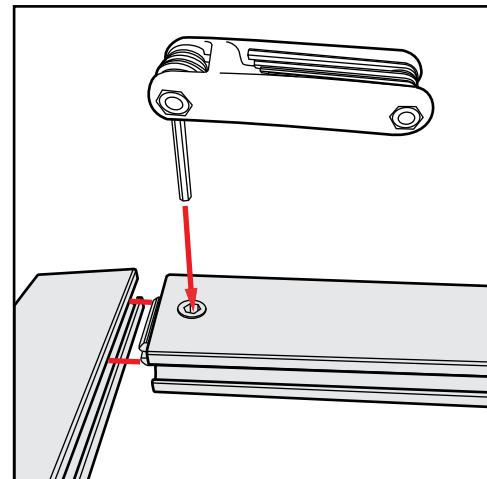
Part Identification - Numbering



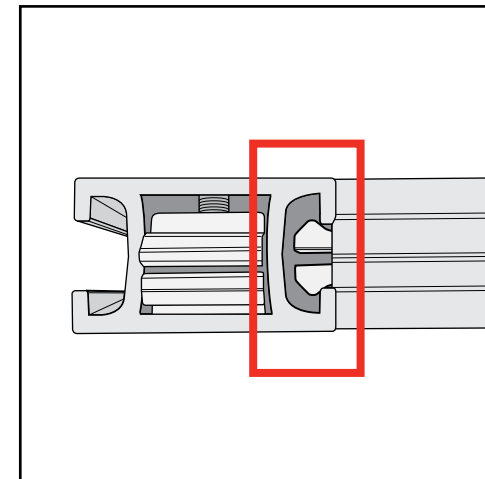
Spline Connection



Base Plate & Extrusion Connection



Extrusion & Lock Connection



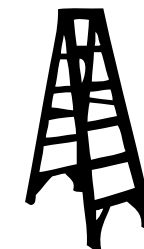
Engaged Lock



# WARNING



DO NOT USE POWER TOOLS



LADDERS OR LIFTS  
MAY BE REQUIRED

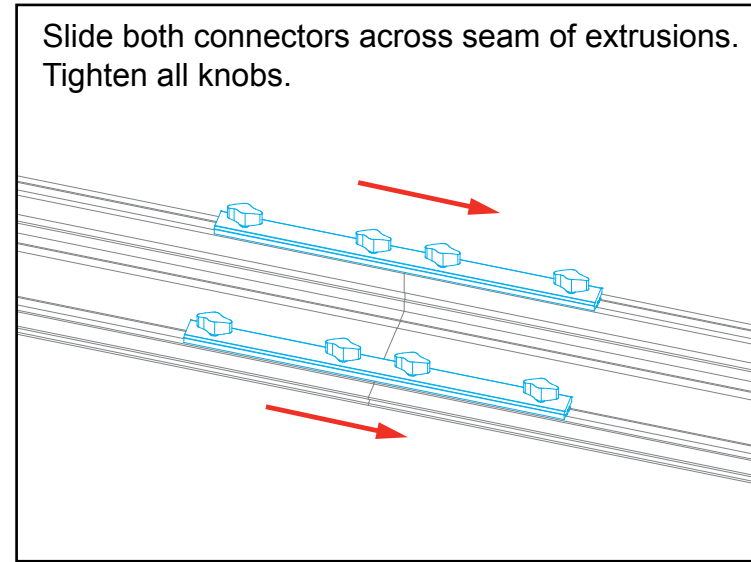
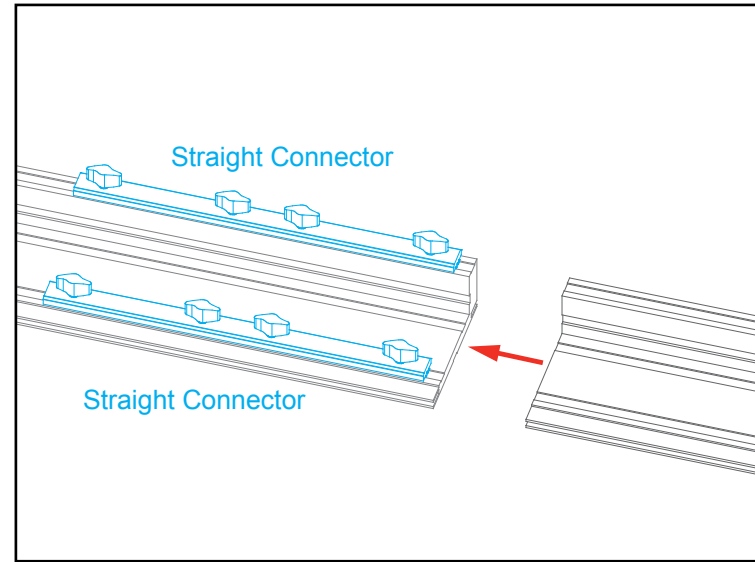


ALL CONNECTIONS MUST  
BE TIGHTLY SECURED

## Straight Connection

When assembling frame, first attach all **straight connectors**, then attach **corner connectors**.

- 1) Place extrusions end-to-end.
- 2) Loosen all knobs, then slide **straight connectors** across the seam of extrusions.
- 3) Tighten all knobs to secure connection.



Slide both connectors across seam of extrusions. Tighten all knobs.

All knobs must be tightened securely to ensure a proper connection.

## Disassembly

- 1) Loosen all knobs.
- 2) Slide connectors off of one extrusion.
- 3) Tighten knobs to prevent loss during packing & shipping.

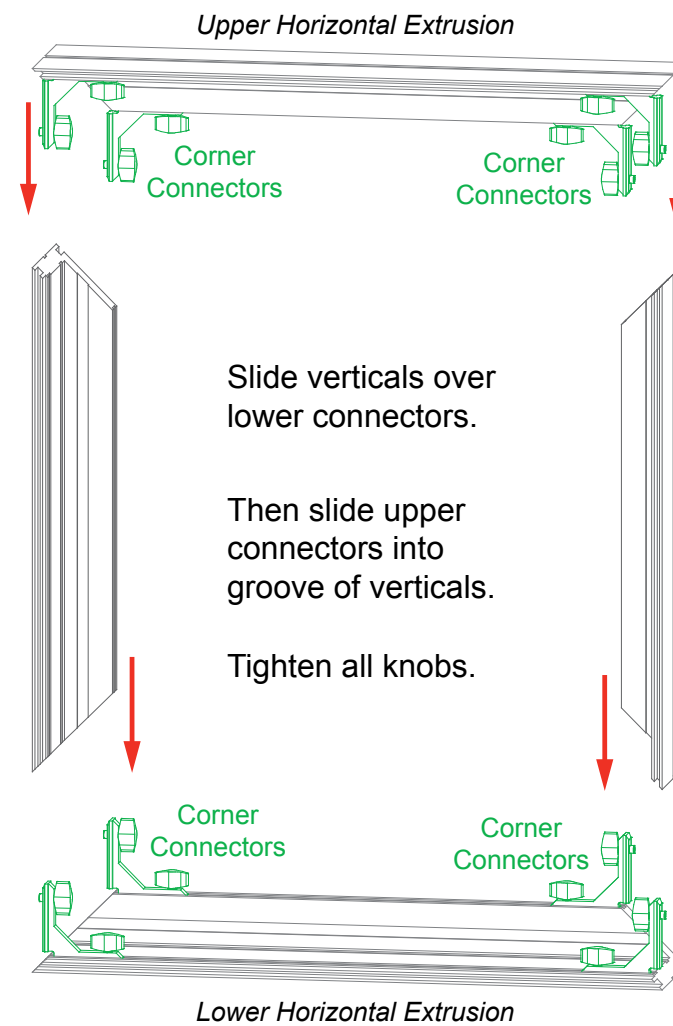
Keep straight connectors in groove of extrusion. Do not remove connectors during disassembly.

## Corner Connection

- 1) Loosen knobs, then slide vertical extrusions onto **corner connectors** of **lower** horizontal extrusion.
- 2) Slide **corner connectors** of **upper** horizontal extrusion into grooves of vertical extrusions.
- 3) Tighten all knobs to secure connection.

## Disassembly

- 1) Loosen knobs on vertical extrusions.
- 2) Slide the vertical extrusions off of **corner connectors** on lower and upper horizontal extrusions.



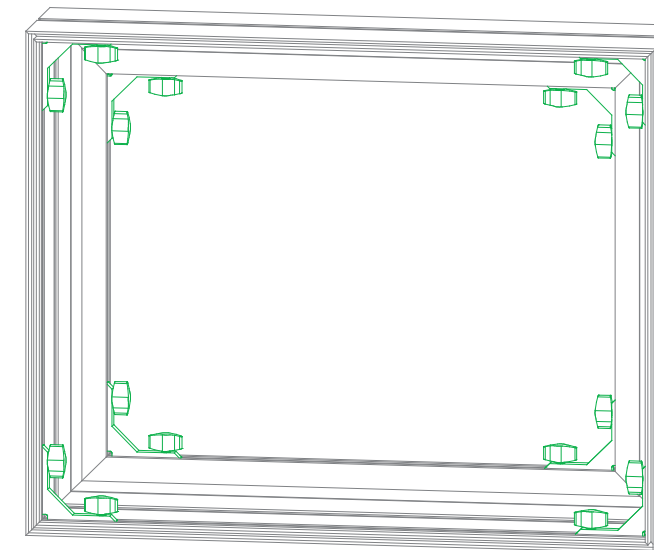
Slide verticals over lower connectors.

Then slide upper connectors into groove of verticals.

Tighten all knobs.

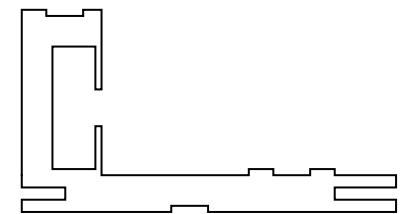


Adjust connectors if necessary to prevent gaps in connection.



COMPLETED ASSEMBLY

All knobs must be tightened securely to ensure a proper connection.

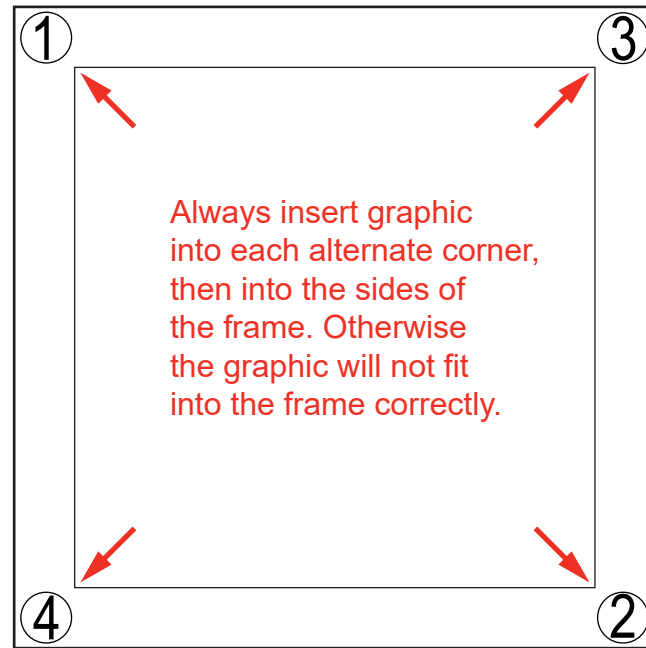


CEI110 Profile

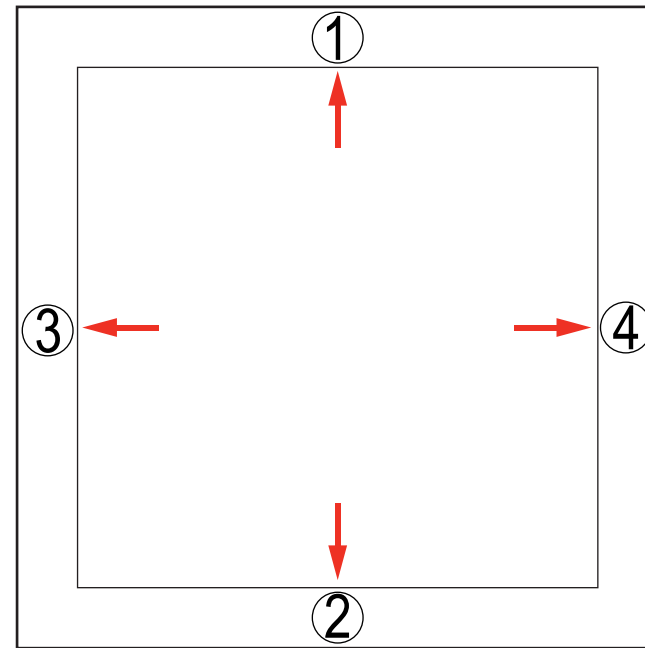
# The Perfect Fit

## SEG Graphic Installation in 3 Steps

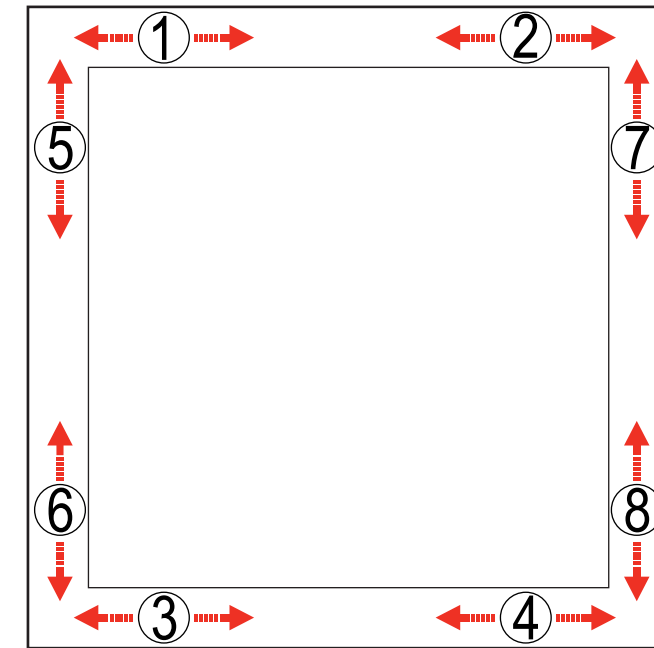
### STEP 1: Attach Corners



### STEP 2: Attach Middle



### STEP 3: Attach Sides



Insert narrow side of silicone welt into the channel at corner 1, with fabric to the outside.

Repeat for opposite corner 2, then corner 3, then corner 4.

Once corners are attached, press the middle of edge 1 into the channel. Then press middle of edge 2 into the channel on opposite side.

Repeat with edge 3 & 4.

Once the middle of sides are attached, fully press the silicone welt into the channel, between center and corner at location 1. Repeat the process between center and corner at location 2.

Do the same for welt on opposite side, at locations 3 & 4. Then repeat for locations 5 & 6 and 7 & 8.

Once the welt is fully inserted on all sides, smooth out edges as needed for a perfect fit.



To remove the graphic from the frame, locate the fabric **pull tab**. Gently pull on the tab to remove the graphic.

Install video:



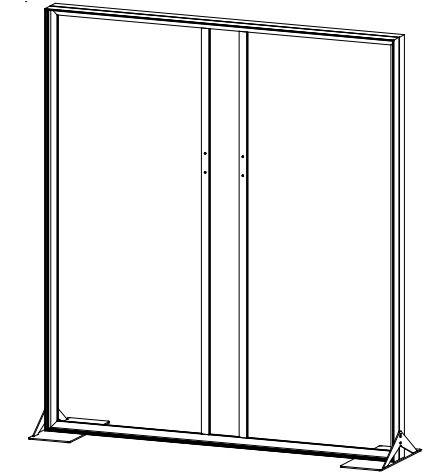
CRATE PACKING

Item	Qty.	Description
1	1	96" h CEI110 Vertical Extrusion
2	1	96" h CEI110 Vertical Extrusion
3	1	84" w CEI110 Horizontal Extrusion
4	1	84" w CEI110 Horizontal Extrusion
5	2	92.353" h Z45 Vertical Extrusion
6	2	Base Plate

**Steps:**

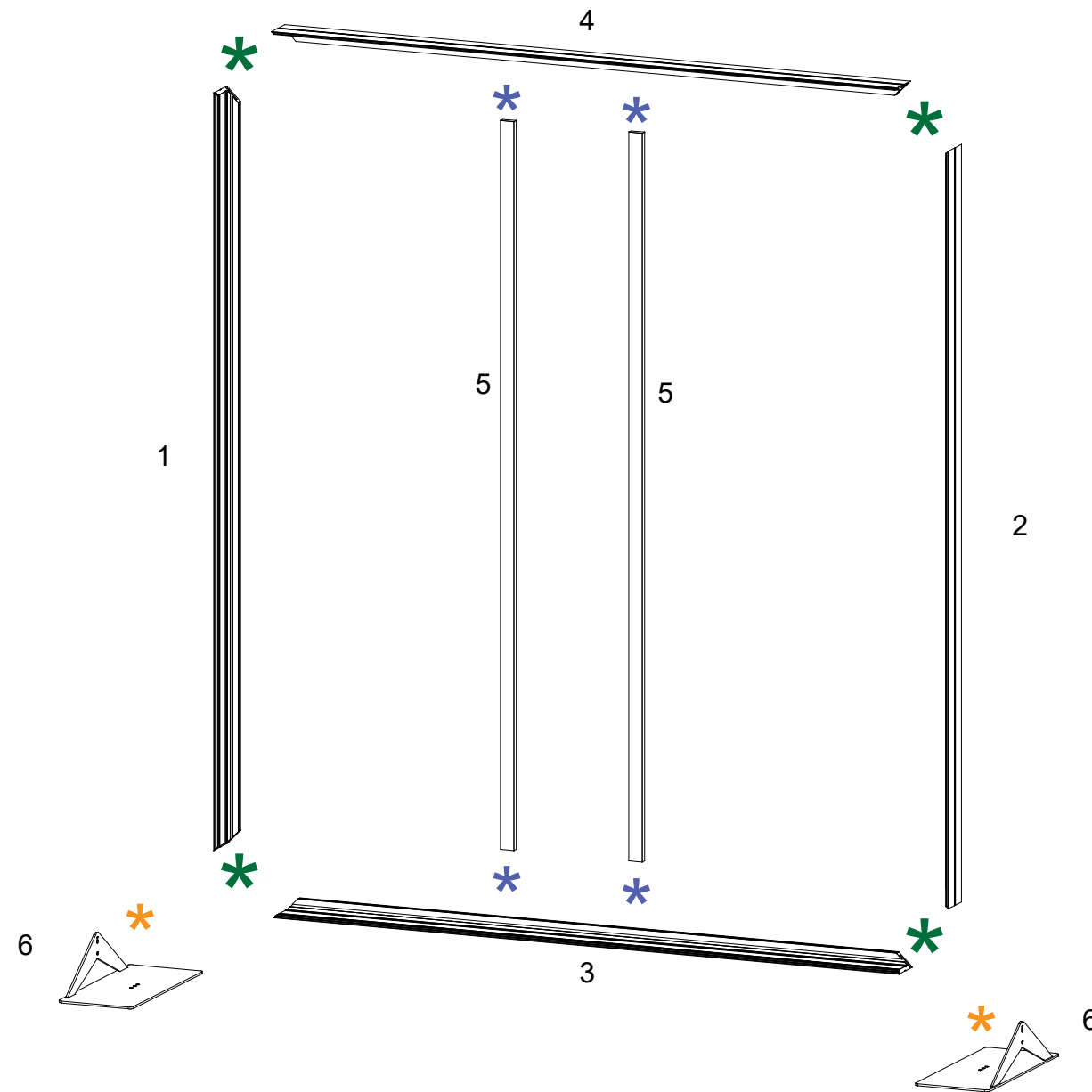
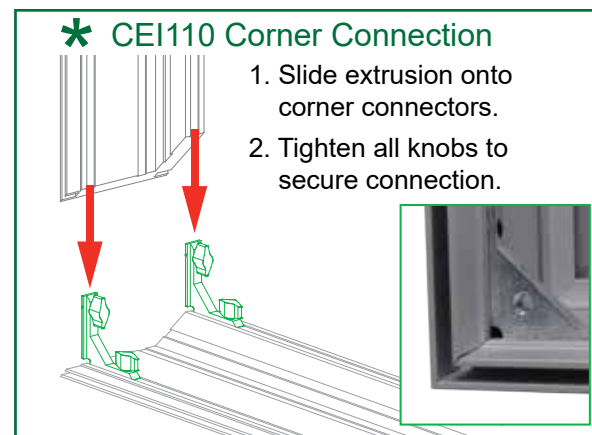
Refer to the CEI110 Frame Assembly general information page.

- 1) Assemble verticals [1,2] between horizontals [3,4] using **Corner Connectors**.
- 2) Connect verticals [5] between horizontals as shown.
- 3) Attach Base Plates to assembled frame.  
See **Base Plate Attachment** detail.

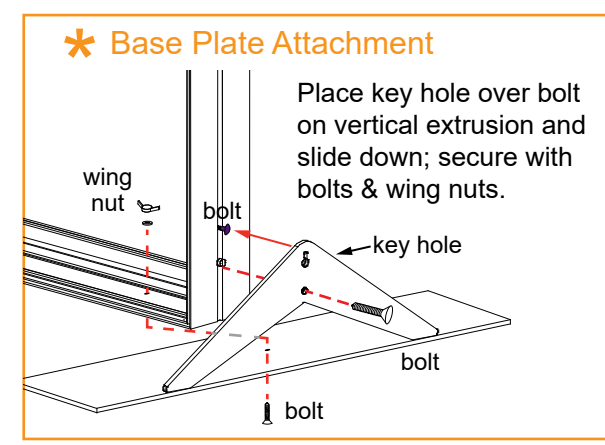
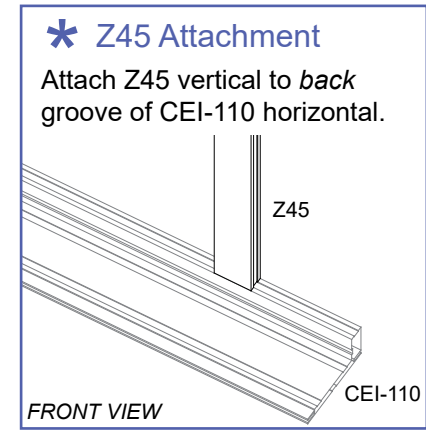


When assembled

Assemble frame flat on ground.



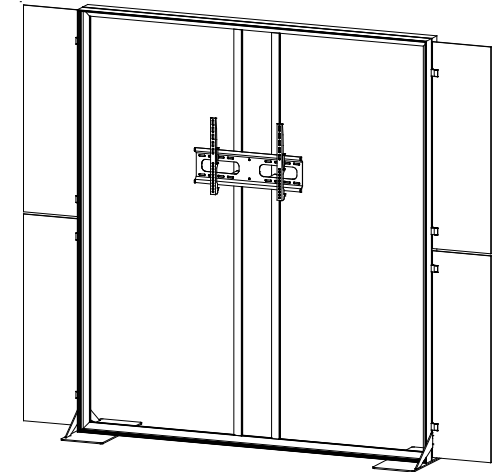
FRONT VIEW



Item	Qty.	Description
--	1	Monitor Mount
--	4	Wing

**Steps:**

- 1) Apply SEG graphic to front of frame assembly. Refer to the SEG Installation general information page.
- 2) Install Monitor Mount to backwall verticals. See **Monitor Mount Attachment** detail.
- 3) Attach Wings to left & right lightboxes. See **Wing Attachment** detail.



When assembled

**\* Monitor Mount Attachment**

Attach Stand-off barrels to Z45 extrusions using bolts.

Monitor Mount  
Stand-Off Barrels  
Z45  
Bolts  
SEG Graphic

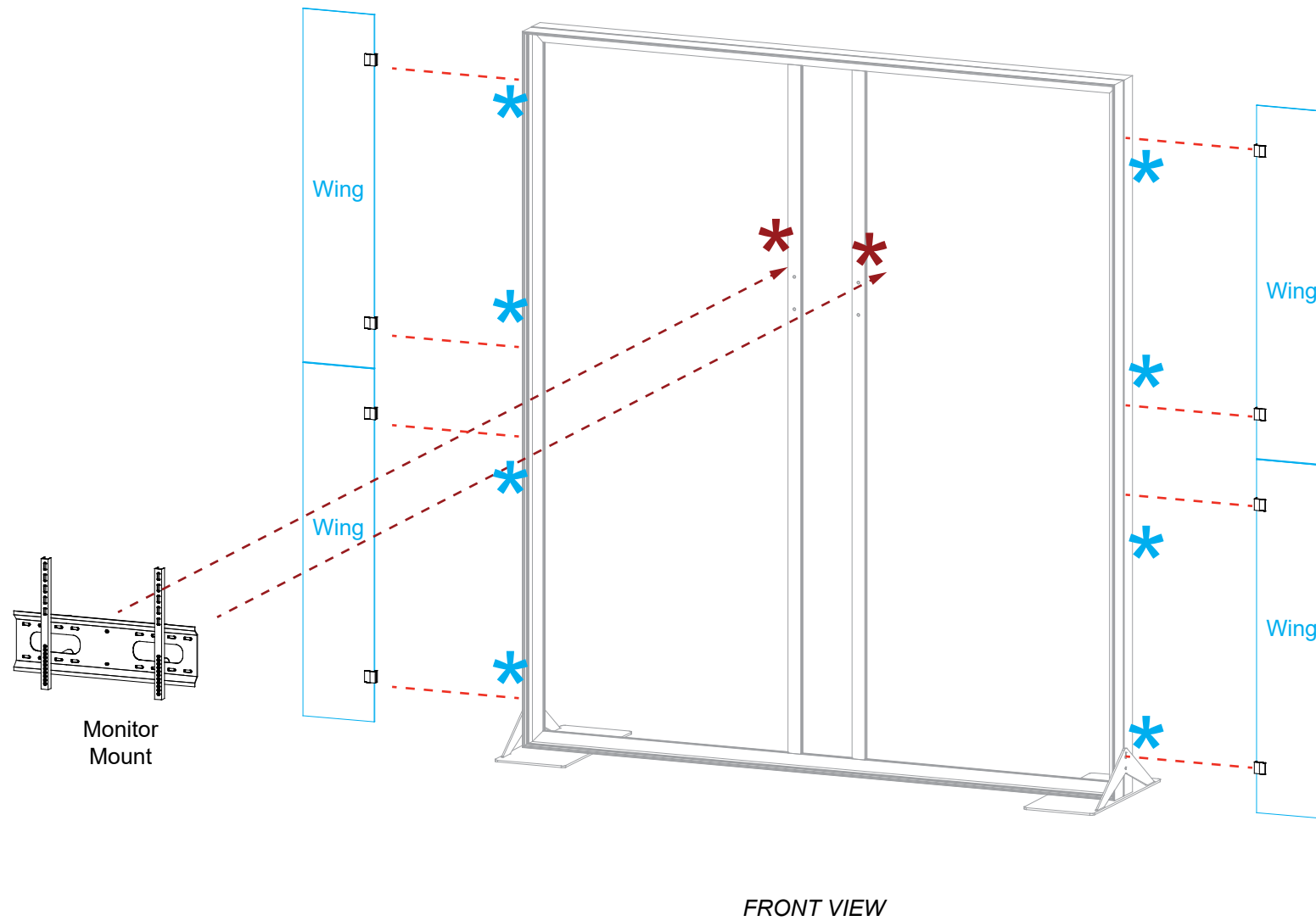
Connect Monitor Mount to Standoff Barrels using Bolts.

*Note: Monitor mounts install through SEG graphic.*

**\* Wing Attachment**

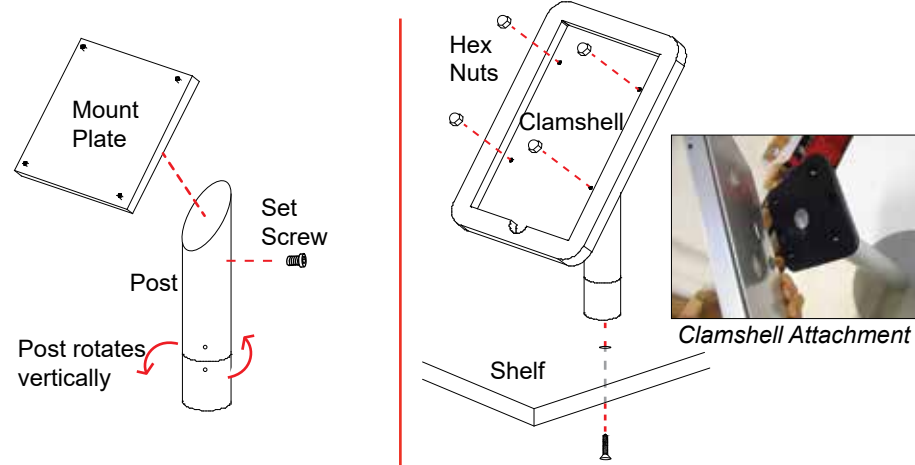
- 1) Slide A10 connector into groove of extrusion.
- 2) Tighten set screw to secure A10 to extrusion.
- 3) Insert Wing into Clamp.
- 4) Tighten knob to secure wing in place.

Wing





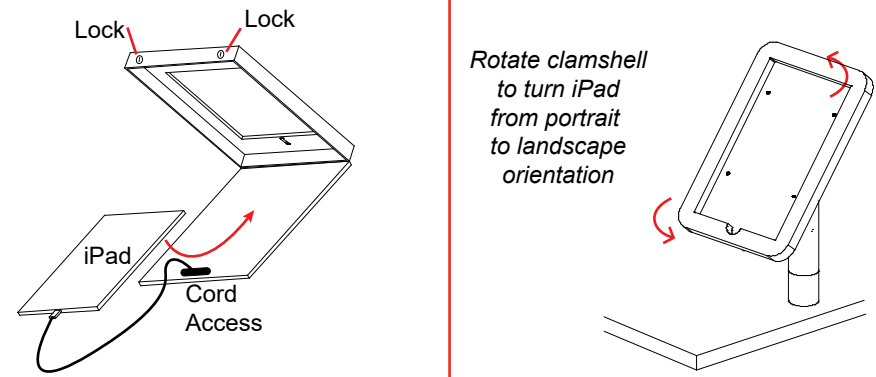
**\* MOD-1329 iPad Mount Attachment**



1. Attach Mount Plate to Post, using Set Screw.

*Note: Mount Plate must rotate left & right before installing clamshell.*

2. Attach Post to Shelf, using bolt from underside; connect Clamshell to Mount Plate using hex nuts.



3. Insert iPad in Clamshell & feed cord through hole.

Completed Assembly

**Optional Cover for Home Button**

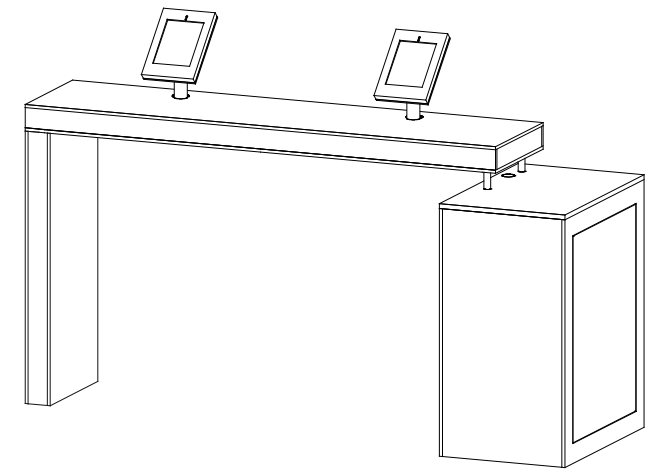
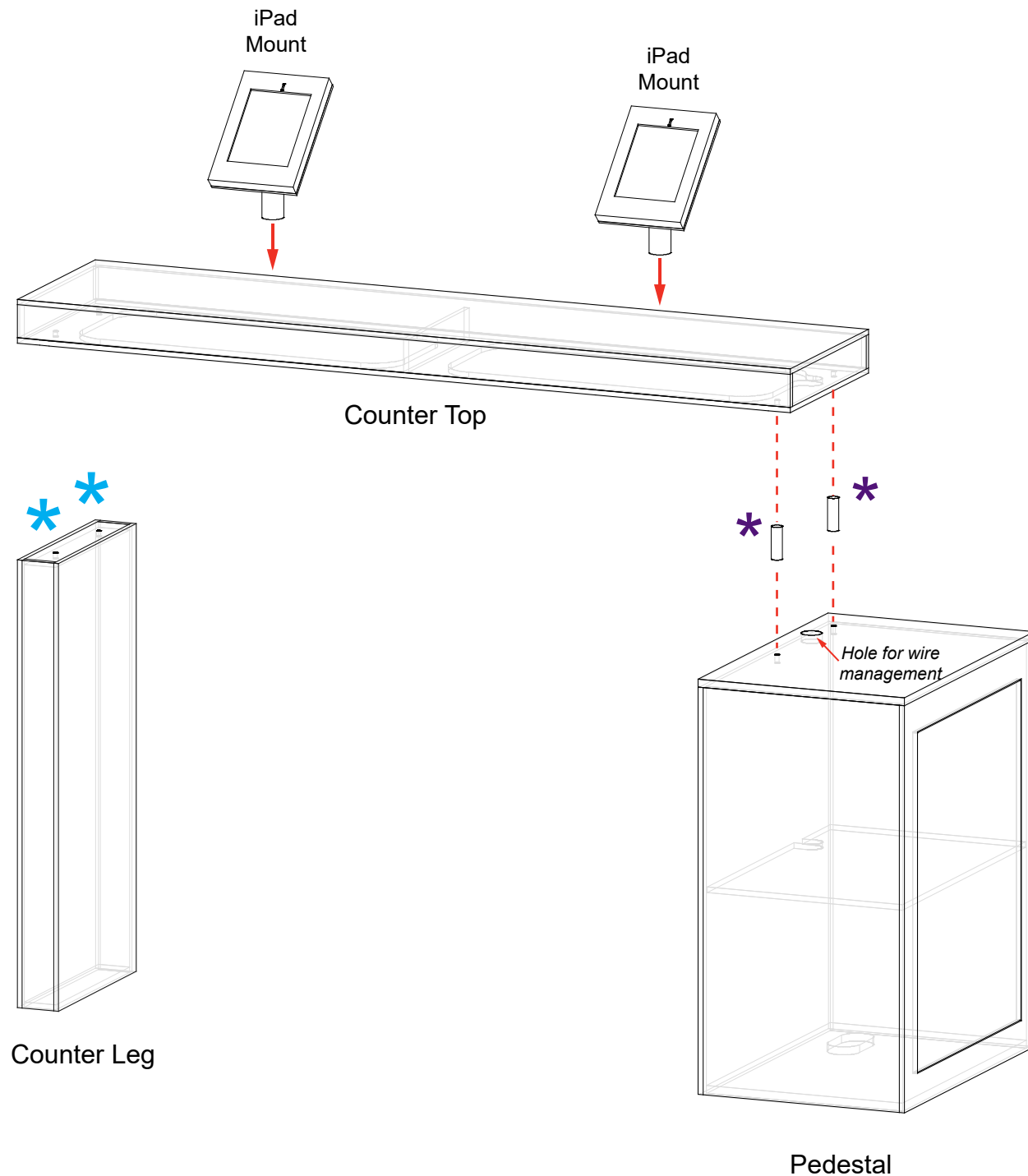


1. Remove foam lining from inside bottom of Clamshell.
2. Attach Home Button Shield with double-sided tape to inside of Clamshell, keeping top of shield flush with Clamshell opening.

*NOTE: This is a permanent fix and cannot be easily removed.*

Steps:

- 1) Attach Leg to Counter Top. See [Counter Top w/ Threaded Stud Attachment](#) detail.
- 2) Connect Counter Top to Pedestal. See [Counter Top w/ Standoff Barrel Attachment](#) detail.
- 3) Install MOD-1329 iPad Mounts to Counter Top as shown.



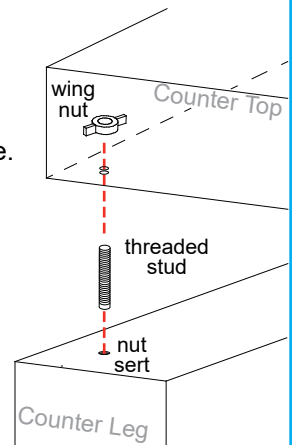
Completed Assembly

**\* Counter Top w/ Threaded Stud Attachment**

Insert threaded stud into nut sert on top of Counter Leg. Twist to secure in place.

Place holes on bottom of Counter Top over threaded stud & secure using wing nuts.

Use access hole under Counter Top when attaching wing nuts.

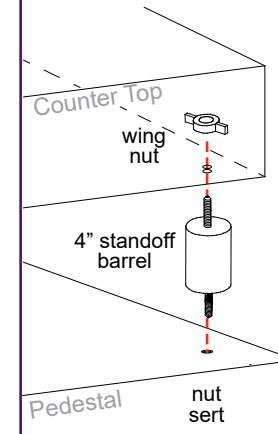


**\* Counter Top w/ Standoff Attachment**

Attach standoff barrels to nut serts in top of Pedestal.

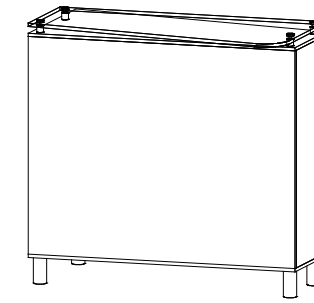
Then connect Counter Top to standoff barrels using wing nuts.

Use access hole under Counter Top when attaching wing nuts.

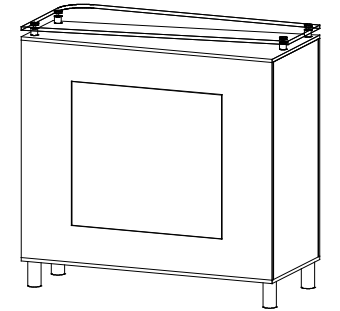


Steps:

- 1) Attach Counter Top to top of assembled base, using standoff barrels & caps. See [Counter Attachment](#) detail.

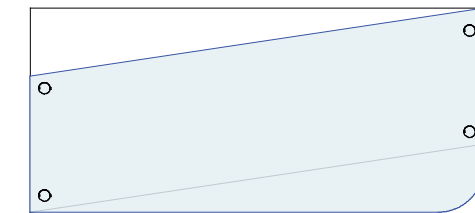


FRONT VIEW



BACK VIEW

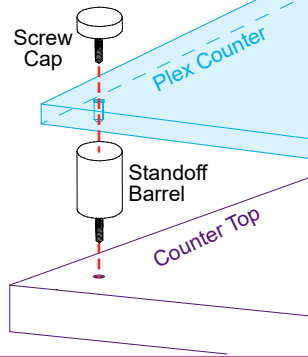
When assembled



TOP VIEW

**\* Counter Attachment**

Attach stand-off barrels to primary counter top. Connect plex counter to primary counter top using screw caps.



**\*\*DO NOT OVER TIGHTEN. PLEX WILL CRACK\*\***

